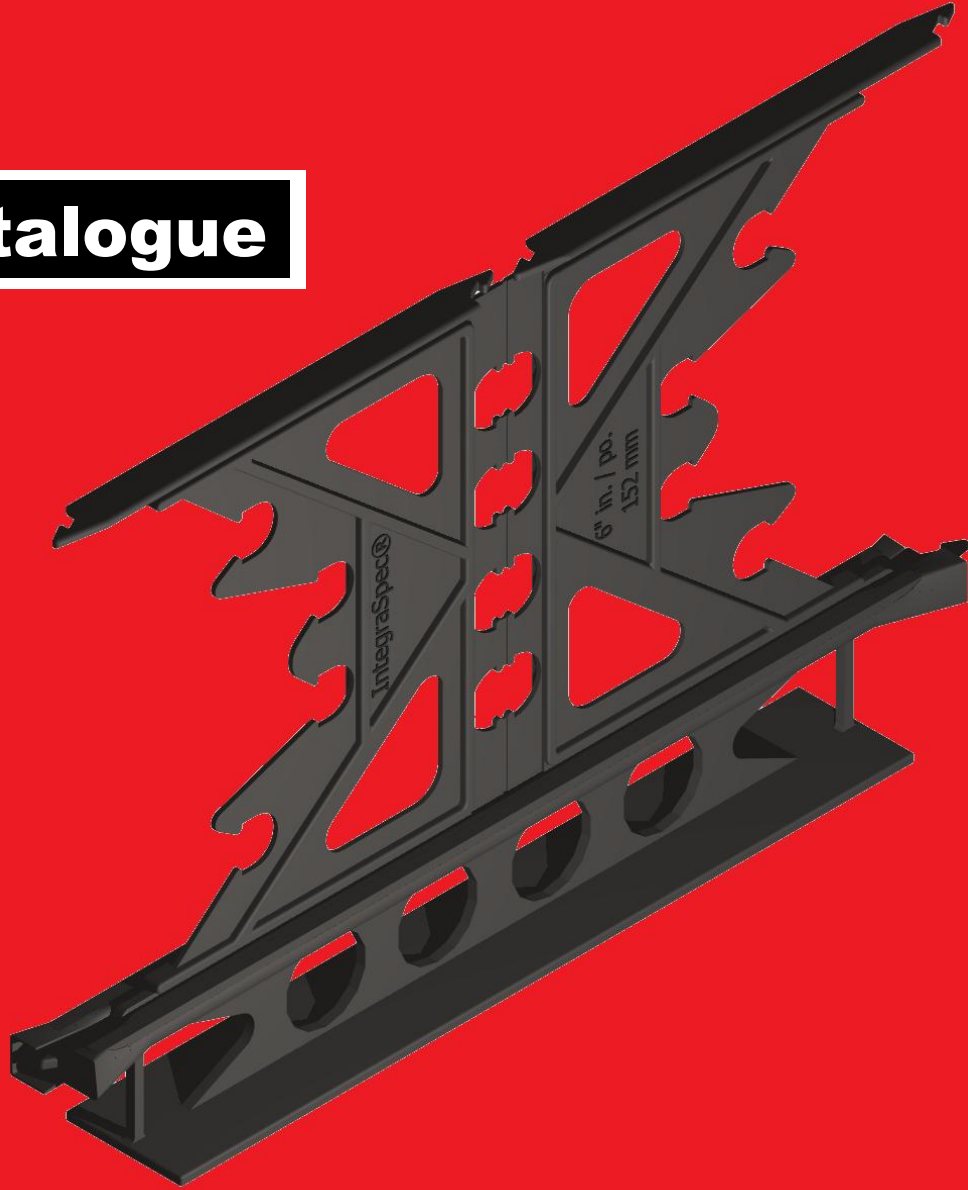
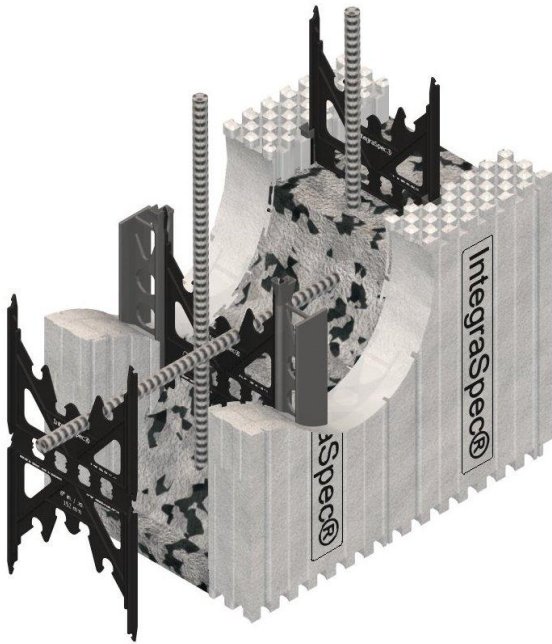




ICFBUILDINGSYSTEM

## Product Catalogue



***"The User Friendly ICF"***

## PRODUCTS & SPECIFICATIONS

<b><u>Product List</u></b>	<b><u>Page</u></b>
Standard Panel.....	3
9° Corner Unit 6" (15 cm) .....	4
90° Corner Unit 8" (20 cm) .....	5
45° Corner Unit.....	6
Brick / Floor Ledge 4" (10 cm) .....	7
Taper Top Panel.....	8
IntegraBucks.....	9
IntegraHeaders.....	10
Spacers / Webs .....	11
IntegraH-Clip .....	12
Santa Fe Bucks .....	13
Santa Fe Headers .....	14
Inserts (ECF) .....	15
IntegraR-Boost .....	16

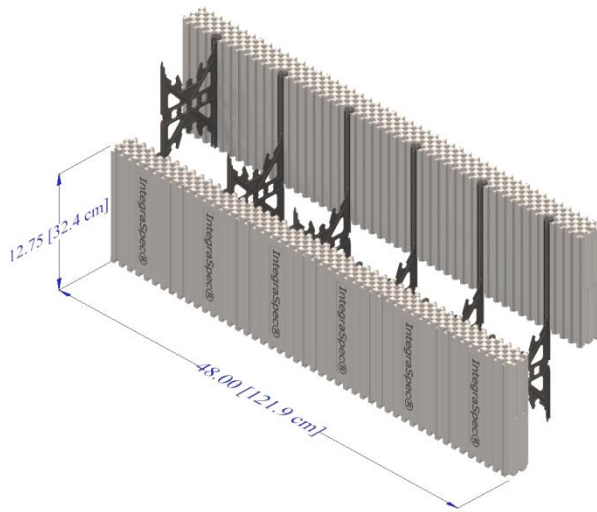
### **IntegraFB™ (Foam Board - Rigid Insulation)**

IntegraFB 16 .....	17
IntegraFB 20 .....	18
IntegraFB 25 .....	19
IntegraFB 30 .....	20
IntegraFB 40 .....	21
IntegraFB 60 .....	22
IntegraFB HydroPx .....	23
IntegraFB STR .....	24
IntegraFB Reflx .....	25-26
IntegraFB Rad .....	27-28
IntegraFB Air .....	29-31

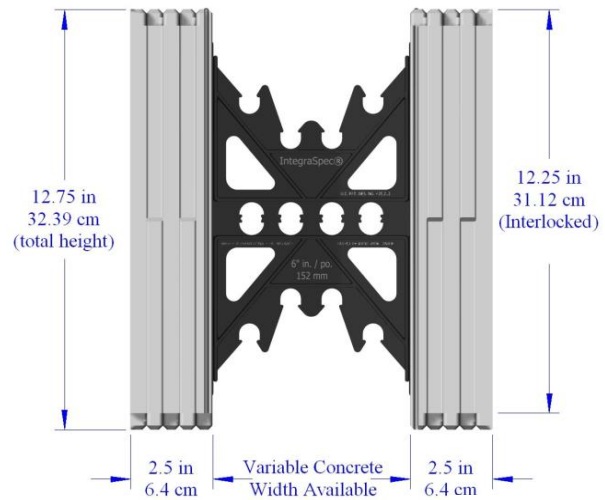
### **Damp / Water Proofing**

IntegraProof .....	32-33
--------------------	-------

## Integraspec® STANDARD PANEL(S)



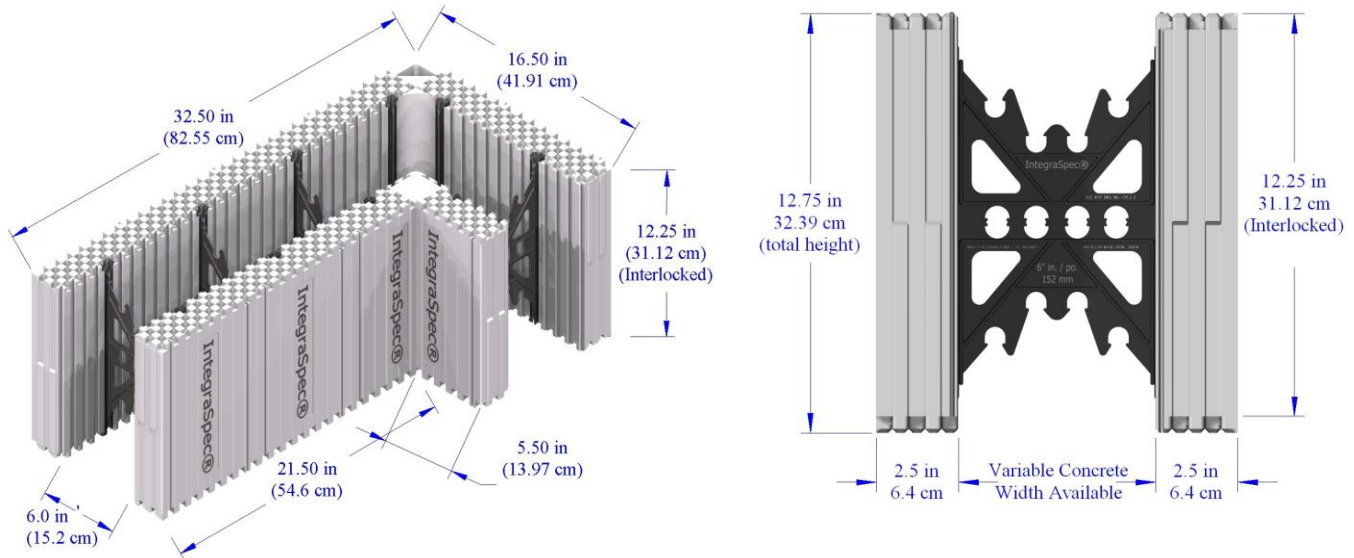
ISO VIEW



END VIEW

<b>Typical Panel Dimension(s)</b>		Length 48.0" x Width 2.5" x Height 12.25" (interlocked) (Length 122 cm x Width 6.35 cm x Height 31.12 cm) <i>Note: part dimensions may vary slightly due to EPS material shrinkage (100% recyclable)</i>				
<b>Standard Concrete Cavity / Core</b>	<b>4"</b> (10.2 cm)	<b>5"</b> (12.7 cm)	<b>6"</b> (15.2 cm)	<b>8"</b> (20.3 cm)	<b>10"</b> (25.4 cm)	<b>12"</b> (30.5 cm)
<b>Total Wall Width (2 Integra Panels + Concrete Core)</b>	9" (22.9 cm)	10" (25.4 cm)	11" (27.9 cm)	13" (33.0 cm)	15" (38.1 cm)	17" (43.2 cm)
<b>Integra Foam panel(s) Material</b>	Flame Retardant Type 2, Expanded Polystyrene (EPS), Density = 1.5 pounds/cubic/feet (pcf) (24.14 kg/m <sup>3</sup> )					
<b>Integra Plastic Insert(s) Material</b>	High Impact Polystyrene (HIPS) (100% recycled material)					
<b>Unique and Special Interlocking Features of the Panels</b>	Patented bi-directional and or reversible (No top, bottom, left, or right hand side). Enables faster and more accurate installation and eliminates waste					
<b>Interlocking Design</b>	Unique special patented friction and mechanical interlocks					
<b>Typical Fastening Studs / Strapping</b>	Vertical 1 <sup>5</sup> / <sub>8</sub> " (4.13 cm) wide located every 8" (20 cm) OC					
<b>Exterior Surface Area</b>	4.08 ft <sup>2</sup> (0.38 m <sup>2</sup> ) (interlocked)					
<b>Concrete Volume 4" (10.16 cm) Wall</b>	0.05 yd <sup>3</sup> (0.039 m <sup>3</sup> ) / Standard Form Unit					
<b>Concrete Volume 5" (12.70 cm) Wall</b>	0.06 yd <sup>3</sup> (0.048 m <sup>3</sup> ) / Standard Form Unit					
<b>Concrete Volume 6" (15.24 cm) Wall</b>	0.08 yd <sup>3</sup> (0.058 m <sup>3</sup> ) / Standard Form Unit (shown above)					
<b>Concrete Volume 8" (20.32 cm) Wall</b>	0.10 yd <sup>3</sup> (0.077 m <sup>3</sup> ) / Standard Form Unit					
<b>Concrete Volume 10" (25.40 cm) Wall</b>	0.12 yd <sup>3</sup> (0.094 m <sup>3</sup> ) / Standard Form Unit					
<b>Concrete Volume 12" (30.48cm) Wall</b>	0.151 yd <sup>3</sup> (0.11 m <sup>3</sup> ) / Standard Form Unit					
<b>Qty's / Area / Meters per Bundle</b>	18 Standard Panels (9 Blocks)		36.72 ft <sup>2</sup> (3.42 m <sup>2</sup> ) of wall area (incl. both sides of wall)			

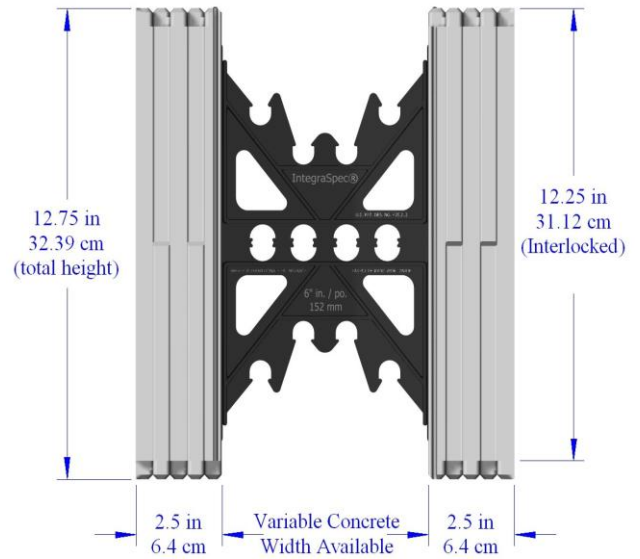
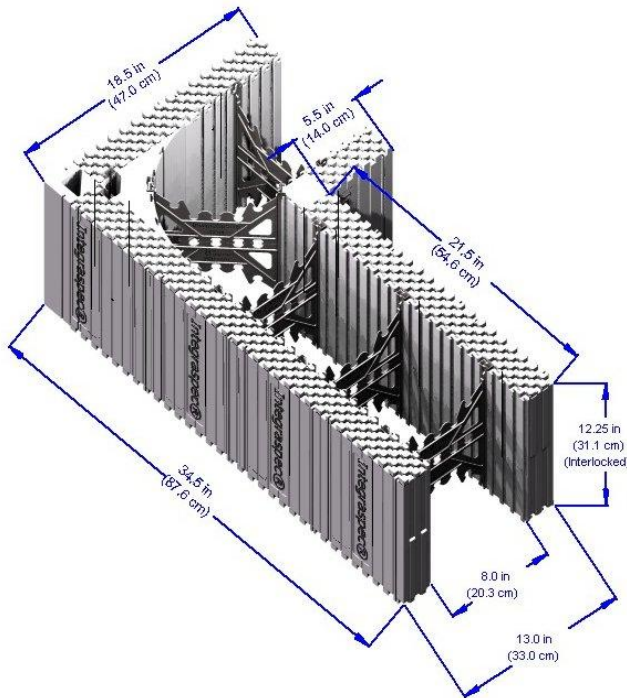
## 90° CORNER UNIT 6" (15.2 cm)



END VIEW

<b>Packaging</b>	Poly-wrapped	
<b>Bundle Weight</b>	Approx. 43 lbs (19.5 kg)/bundle	
<b>Bundle Size</b>	25.0" (63.5 cm) wide x 48.0" (121.9 cm) long x 22.5" (57.1 cm) high	
<b>Typical Exterior Panel Dimension(s)</b>	Length 32.5" x Width 16.5" x Height 12.25" (interlocked) (Length 82.6 cm x Width 41.91 cm x Height 31.12 cm) <i>Note: part dimensions may vary slightly due to EPS material shrinkage (100% recyclable)</i>	
<b>Typical Interior Panel Dimension(s)</b>	Length 21.5" x Width 5.5" x Height 12.25" (interlocked) (Length 54.6 cm x Width 14 cm x Height 31.12 cm) <i>Note: part dimensions may vary slightly due to EPS material shrinkage (100% recyclable)</i>	
<b>Concrete Volume per Corner Unit</b>	0.056 yd <sup>3</sup> (0.043 m <sup>3</sup> )	
<b>Integra Foam panel(s) Material</b>	Flame Retardant Type 2, Expanded Polystyrene (EPS), Density = 1.5 pounds/cubic/feet (pcf) (24.14 kg/m <sup>3</sup> )	
<b>Integra Plastic Insert(s) Material</b>	High Impact Polystyrene (HIPS) (recycled material)	
<b>Unique and Special Interlocking Features of the Panels</b>	Patented bi-directional and or reversible (No top, bottom, left, or right hand side). Enables faster and more accurate installation and eliminates waste	
<b>Interlocking Design</b>	Unique special patented friction and mechanical interlocks	
<b>Typical Fastening Studs / Strapping</b>	Vertical 1 <sup>5</sup> / <sub>8</sub> " (4.13 cm) wide located every 8" (20 cm) OC	
<b>Exterior Surface Area</b>	4.16 ft <sup>2</sup> (0.40 m <sup>2</sup> ) (interlocked)	
<b>Qtys / Area / Meters per Bundle</b>	8 Corner Units (16 Panels)	33.28 ft <sup>2</sup> (3.1 m <sup>2</sup> ) of wall area (incl. both sides of wall)
<b>Packaging</b>	Poly-wrapped	
<b>Bundle Weight</b>	Approx. 31 lbs (14 kg)/bundle	
<b>Bundle Size</b>	21.0" (53.34 cm) wide x 42.0" (106.7 cm) long x 25" (63.5 cm) high	

## Commercial 90° CORNER UNIT 8" (20.3 cm)\*



END VIEW

<b>Typical Exterior Panel Dimension(s)</b>	Length 34.5" x Width 18.5" x Height 12.25" (interlocked) (Length 87.6 cm x Width 47 cm x Height 31.12 cm) <i>Note: part dimensions may vary slightly due to EPS material shrinkage (100% recyclable)</i>	
<b>Typical Interior Panel Dimension(s)</b>	Length 21.5" x Width 5.5" x Height 12.25" (interlocked) (Length 54.6 cm x Width 14 cm x Height 31.12 cm) <i>Note: part dimensions may vary slightly due to EPS material shrinkage (100% recyclable)</i>	
<b>Concrete Volume per Corner Unit</b>	0.067 yd <sup>3</sup> (0.051 m <sup>3</sup> )	
<b>Integra Foam panel(s) Material</b>	Flame Retardant Type 2, Expanded Polystyrene (EPS), Density = 1.5 pounds/cubic/feet (pcf) (24.14 kg/m <sup>3</sup> )	
<b>Integra Plastic Insert(s) Material</b>	High Impact Polystyrene (HIPS) (recycled material)	
<b>Unique and Special Interlocking Features of the Panels</b>	Patented bi-directional and or reversible (No top, bottom, left, or right hand side). Enables faster and more accurate installation and eliminates waste	
<b>Interlocking Design</b>	Unique special patented friction and mechanical interlocks	
<b>Typical Fastening Studs/ Strapping</b>	Vertical 1 <sup>5</sup> / <sub>8</sub> " (4.13 cm) wide Located every 8" (20 cm) OC	
<b>Exterior Surface Area</b>	4.51 ft <sup>2</sup> (0.42 m <sup>2</sup> ) (interlocked)	
<b>Qtys / Area / Meters per Bundle</b>	8 Corner Units (16 Panels)	36.08 ft <sup>2</sup> (3.35 m <sup>2</sup> ) of wall area (incl. both sides of wall)
<b>Packaging</b>	Poly-wrapped	
<b>Bundle Weight</b>	Approx. 32 lbs (14.5 kg)/bundle	
<b>Bundle Size</b>	25.5" (64.77 cm) wide x 45.0" (114.3 cm) long x 25" (63.5 cm) high	

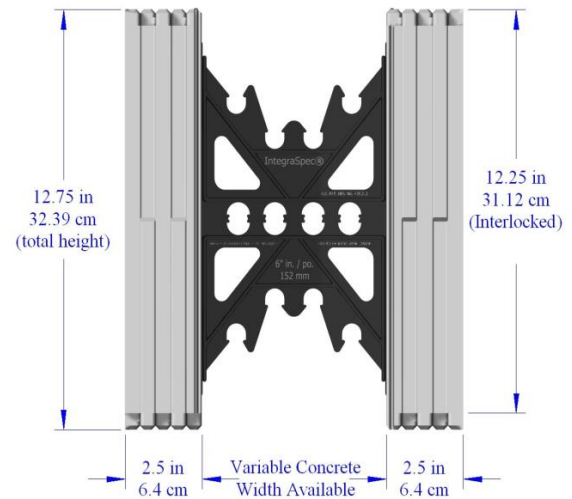
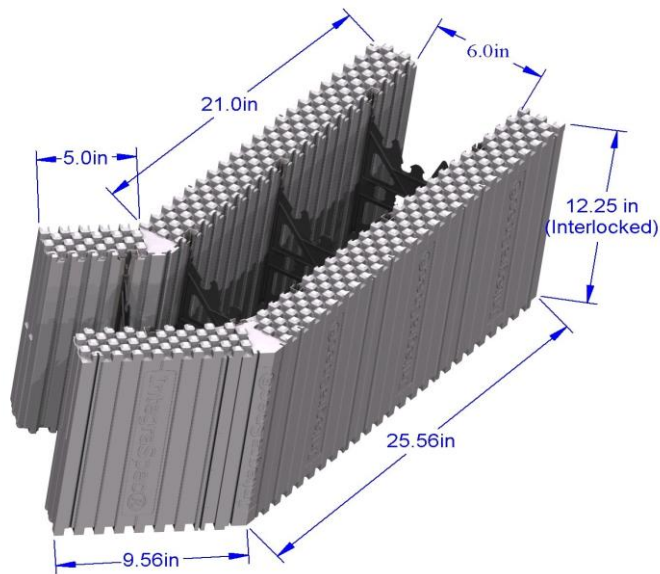
\*Also referred to as: "90° Commercial Corner Unit"

Integraspec and IntegraFB are trademarks of Integraspec Corp.

Toll Free: 1-800-382-9102 – Tel: 613-634-1319 – Fax: 613-634-2291 – Email: info@integraspec.com – Web: www.integraspec.com



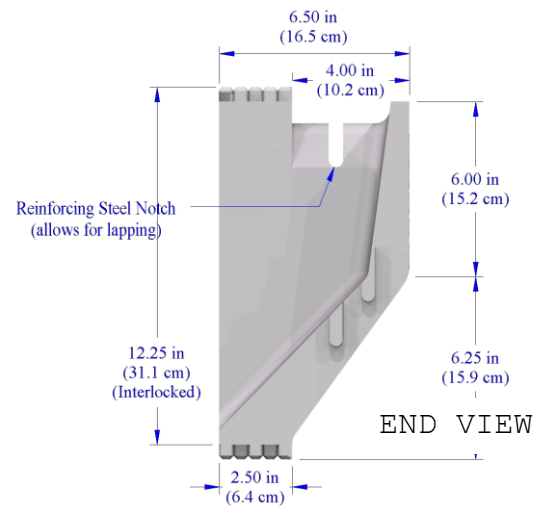
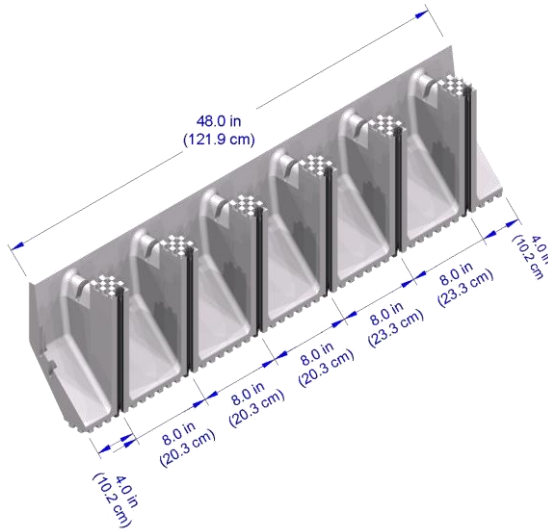
## 45° CORNER UNIT 6" (15.2 cm)



END VIEW

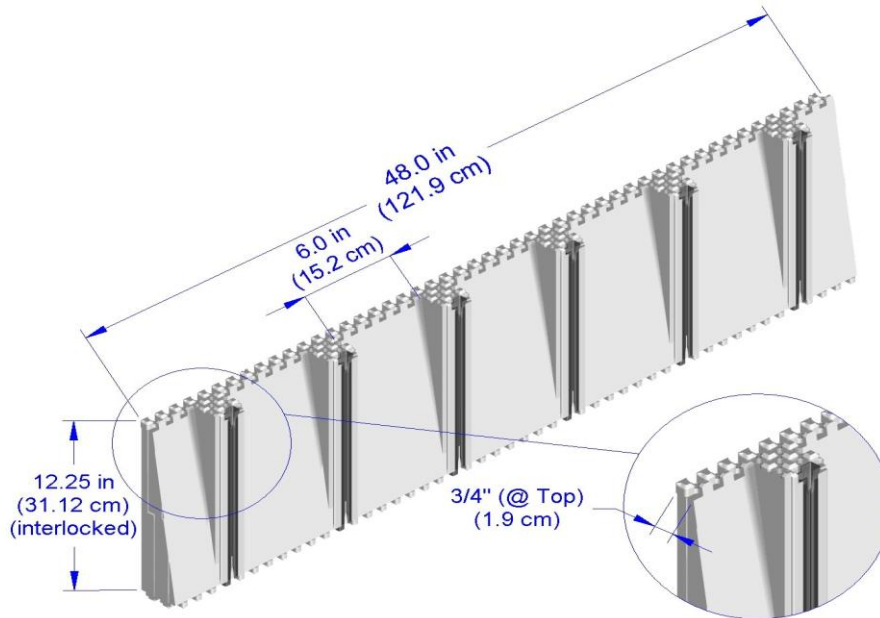
<b>Typical Exterior Panel Dimension(s)</b>	Length 25.56" x Length 9.56" x Height 12.25" (interlocked) (Length 64.92 cm x Width 24.28 cm x Height 31.12 cm) <i>Note: part dimensions may vary slightly due to EPS material shrinkage (100% recyclable)</i>	
<b>Typical Interior Panel Dimension(s)</b>	Length 21.0" x Width 5.0" x Height 12.25" (interlocked) (Length 53.34 cm x Length 12.7 cm x Height 31.12 cm) <i>Note: part dimensions may vary slightly due to EPS material shrinkage (100% recyclable)</i>	
<b>Concrete Volume per Corner Unit</b>	.048 yd <sup>3</sup> (0.036 m <sup>3</sup> )	
<b>Integra Foam panel(s) Material</b>	Flame Retardant Type 2, Expanded Polystyrene (EPS), Density = 1.5 pounds/cubic/feet (pcf) (24.14 kg/m <sup>3</sup> )	
<b>Integra Plastic Insert(s) Material</b>	High Impact Polystyrene (HIPS) (recycled material)	
<b>Unique and Special Interlocking Features of the Panels</b>	Patented bi-directional and or reversible (No top, bottom, left, or right hand side). Enables faster and more accurate installation and eliminates waste	
<b>Interlocking Design</b>	Unique special patented friction and mechanical interlocks	
<b>Typical Fastening Studs/ Strapping</b>	Vertical 1 <sup>5</sup> / <sub>8</sub> " (4.13 cm) wide Located every 8" (20 cm) OC (with an additional located at exterior corner)	
<b>Exterior Surface Area</b>	2.99 ft <sup>2</sup> (0.28 m <sup>2</sup> ) (interlocked)	
<b>Interior Surface Area</b>	2.21 ft <sup>2</sup> (0.20 m <sup>2</sup> ) (interlocked)	
<b>Qtys/ Area/ Meters per Bundle Exterior Corner Panels</b>	16 panels/bundle	47.84 ft <sup>2</sup> (4.48 m <sup>2</sup> of wall area (Exterior face of wall (one side))
<b>Qtys/ Area/ Meters per Bundle Interior Corner Panels</b>	16 panels/bundle	35.36 ft <sup>2</sup> (3.20 m <sup>2</sup> of wall are Interior face of wall (one side))
<b>Packaging</b>	Poly-wrapped	
<b>Bundle Weight and Size Exterior Panels</b>	Weight = Approx. 28 lbs (12.7 kg)	Size = H 25 1/2" x L 45 1/2" x W 23" (H 65 cm x L 116 cm x W 58 cm)
<b>Bundle Weight and Size Interior Panels</b>	Weight = Approx. 26 lbs (11.8 kg)	Size = H 25 1/2" x L 21 1/2" x W 34" (H 65 cm x L 55 cm x W 76 cm)

## BRICK LEDGE PANEL 4" (10.0 cm)



<b>Typical Brick Ledge Panel Dimension(s)</b>		Length 48.0" x Width 6.5" x Height 12.25" (interlocked) (Length 122 cm x Width 16.51 cm x Height 31.12 cm)				
		<i>Note: part dimensions may vary slightly due to EPS material shrinkage (100% recyclable)</i>				
<b>Concrete Projection</b>		4" (10.2 cm) (from face of wall)				
<b>Concrete Core Size</b>	4" (10.2 cm)	5" (12.7 cm)	6" (15.2 cm)	8" (20.3 cm)	10" (38.1 cm)	12" (30.5 cm)
<b>Overall Wall Width (1 Brick Ledge Panel)</b>	13" (33.0 cm)	14" (35.6 cm)	15" (38.1 cm)	17" (43.1 cm)	19" (48.3 cm)	21" (53.3 cm)
<b>Overall Wall Width (2 Brick Ledge Panels)</b>	17" (43.1 cm)	18" (45.7 cm)	19" (48.3 cm)	21" (53.3 cm)	23" (58.4 cm)	25" (63.5 cm)
<b>Integra Foam Panel Material</b>		Flame Retardant Type 2, Expanded Polystyrene (EPS), Density = 1.5 pounds/cubic/feet (pcf) (24.14 kg/m <sup>3</sup> )				
<b>Integra Plastic Insert(s) Material</b>		High Impact Polystyrene (HIPS) (recycled material)				
<b>Unique Panel Features</b>		Interlocking tongue and grooves on panel ends; can be placed anywhere in the wall(s) and at different elevation(s); interlocks consecutive row(s) on top; incorporates rebar notch				
<b>Interlocking Design</b>		Unique special patented friction and mechanical interlocks				
<b>Design Principal</b>		Insulated monolithic structural concrete ledger (Brick / Floor)				
<b>Exterior Surface Area</b>		4.08 ft <sup>2</sup> (0.38 m <sup>2</sup> ) (interlocked)				
<b>Concrete Required per Brick Ledge Panel</b>		0.0286 yd <sup>3</sup> (0.022 m <sup>3</sup> )/panel				
<b>Qtys / Area / Meters per Bundle</b>		8 Brick Ledge Panels		32.64 ft <sup>2</sup> (3.03 m <sup>2</sup> ) (1 side of wall)		
<b>Packaging</b>		Poly-wrapped				
<b>Bundle Weight</b>		19 lbs (8.6 kg)/bundle				
<b>Bundle Size</b>		25.0" (63.5 cm) wide x 49.0" (124.46 cm) long x 26.5" (67.3 cm) high				

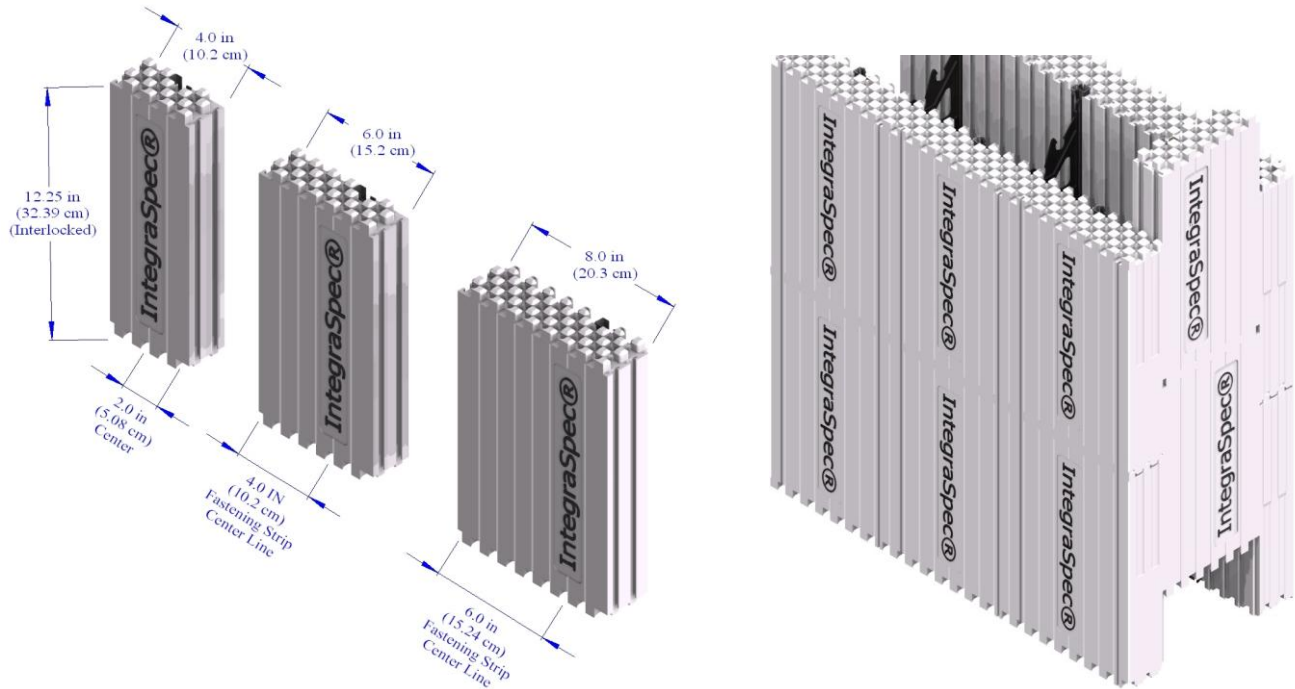
## TAPER TOP PANEL



<b>Typical Taper Top Panel Dimensions</b>		Length 48.0" x Width 2.5" x Height 12.25" (interlocked) (Length 122 cm x Width 6.4 cm x Height 31.12 cm) <i>Note: part dimensions may vary slightly due to EPS material shrinkage (100% recyclable)</i>				
<b>Additional Concrete at Top</b>		1.75" (4.5 cm)				
<b>Concrete Core Size</b>	4" (10.2 cm)	5" (12.7 cm)	6" (15.2 cm)	8" (20.3 cm)	10" (38.1 cm)	12" (30.5 cm)
<b>Overall Concrete Wall Width at Top (1 Taper Top Panel)</b>	5.75" (14.6 cm)	6.75" (17.15 cm)	7.75" (19.7 cm)	9.75" (24.8 cm)	11.75" (29.9 cm)	13.75" (34.9 cm)
<b>Overall Concrete Wall Width at Top (2 Taper Top Panels)</b>	7.5" (19.1 cm)	8.5" (21.6 cm)	9.5" (24.1 cm)	11.5" (29.2 cm)	13.5" (34.3 cm)	15.5" (39.4 cm)
<b>Integra Foam Panel Material</b>	Flame Retardant Type 2, Expanded Polystyrene (EPS), Density = 1.5 pounds/cubic/feet (pcf) (24.14 kg/m <sup>3</sup> )					
<b>Integra Plastic Insert(s) Material</b>	High Impact Polystyrene (HIPS) (recycled material)					
<b>Unique Panel Features</b>	Interlocking tongue and grooves on panel ends; can be place anywhere in the wall(s) and at different elevation(s); interlocks consecutive row(s) on top;					
<b>Interlocking Design</b>	Unique special patented friction and mechanical interlocks					
<b>Design Principal</b>	Increases concrete thickness / strength at top of wall					
<b>Exterior Surface Area</b>	4.08 ft <sup>2</sup> (0.38 m <sup>2</sup> ) (interlocked)					
<b>Concrete Required per Taper Top Panel</b>	0.0083 yd <sup>3</sup> (0.0064 m <sup>3</sup> )/panel					
<b>Qtys / Area / Meters per Bundle</b>	18 Standard Panels (9 Blocks)	36.72 ft <sup>2</sup> (3.42 m <sup>2</sup> ) of wall area (incl. both sides of wall)				
<b>Packaging</b>	Poly-wrapped					
<b>Bundle Weight</b>	Approx. 35 lbs (15.88 kg)/bundle					
<b>Bundle Size</b>	25.0" (63.5 cm) wide x 48.0" (121.9 cm) long x 22.5" (57.1 cm) high					



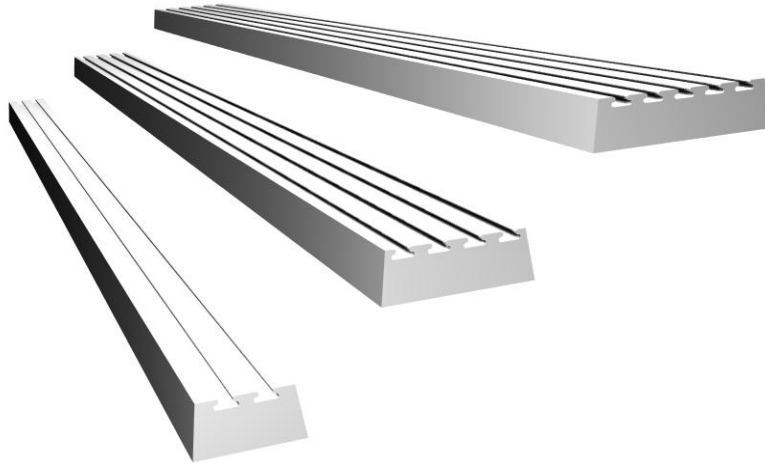
## INTEGRABUCKS 4" (10.2 cm), 6" (15.2 cm) & 8" (20.3 cm)



Staggered IntegraBucks Shown

<b>Integra Bucks Dimension</b>	<b>4" (10.2 cm) long x 2" (5.1 cm) wide x 12.25" (31.1 cm) high</b> <i>Note: part dimensions may vary slightly due to EPS material shrinkage (100% recyclable)</i>		
	<b>6" (15.2 cm) long x 2" (5.1 cm) wide x 12.25" (31.1 cm) high</b> <i>Note: part dimensions may vary slightly due to EPS material shrinkage (100% recyclable)</i>		
	<b>8" (20.3 cm) long x 2.5" (6.4 cm) wide x 12.25" (31.1 cm) high</b> <i>Note: part dimensions may vary slightly due to EPS material shrinkage (100% recyclable)</i>		
<b>Integra Foam panel(s) Material</b>	Flame Retardant Type 2, Expanded Polystyrene (EPS), Density = 1.5 pounds/cubic/feet (pcf) (24.14 kg/m <sup>3</sup> )		
<b>Integra Plastic Insert(s) Material</b>	High Impact Polystyrene (HIPS) (recycled material)		
<b>Unique and Special Interlocking Features of the Panels</b>	Bi-directional and or reversible (No top, bottom, left, or right hand side). Slides in panel dovetails. Enables faster and more accurate installation of rough openings and includes strapping to fasten window and or door frame(s).		
<b>Interlocking Design</b>	Unique special patented friction and dovetail interlock(s)		
<b>Typical Fastening Studs / Strapping</b>	Vertical 1 <sup>5</sup> / <sub>8</sub> " (4.13 cm) wide; located inside bucks		
<b>Integra Buck Sizes</b>	<b>4" (10.2 cm)</b>	<b>6" (15.2 cm)</b>	<b>8" (20.3 cm)</b>
<b>Quantity</b>	80 pcs	80 pcs	80 pcs
<b>Packaging</b>	Box	Box	Box
<b>Approx. Box Weight</b>	23 lbs (10.4 kg)	27 lbs (12.25 kg)	35 lbs (13.15 kg)
<b>Box Size</b>	20.5" x 19" x 26" (52 cm x 48.3 cm x 66.1 cm)	26" x 20.5" x 26.5" (66.1 cm x 52.1 cm x 67.3 cm)	34.5" x 25.5" x 26" (87.6 cm x 64.8 cm x 66.1 cm)

## INTEGRAHEADERS 4" (10.2 cm), 6" (15.2 cm) & 8" (20.3 cm)



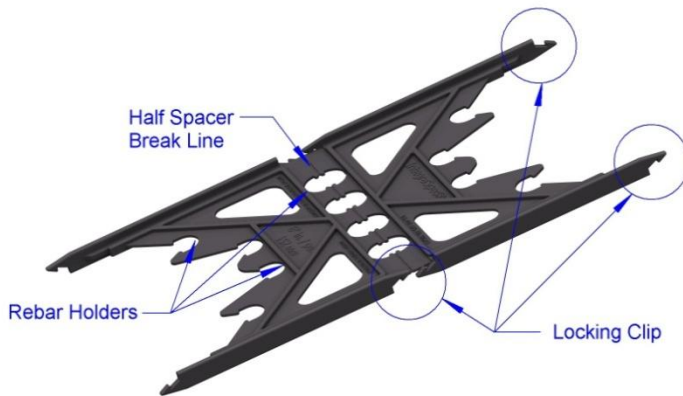
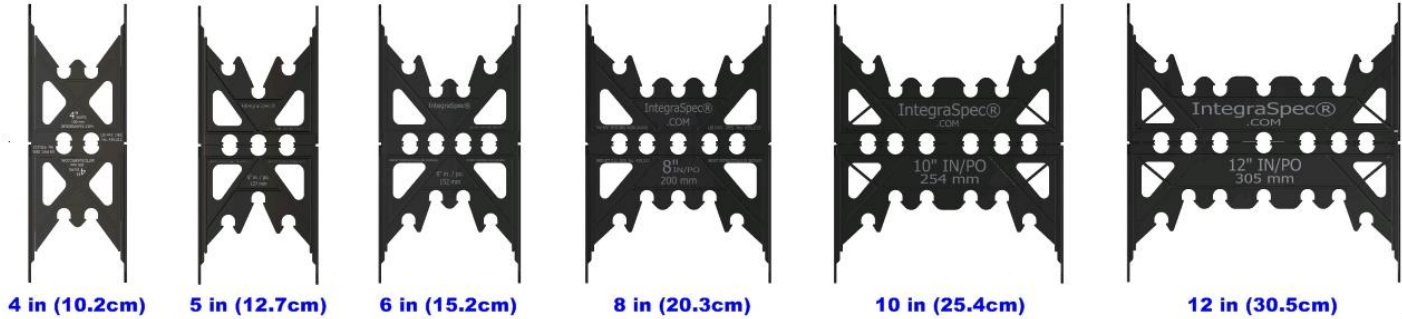
*IntegraHeader (4" (10.2 cm), 6" (15.2 cm), & 8" (20.3 cm) shown)*



*IntegraHeader (top) & IntegraBucks (sides)*

<b>IntegraHeaders Dimension</b>	4" (10.2 cm) wide x 1.5" (3.8 cm) thick x 8' (244 cm) long			
	5" (12.7 cm) wide x 1.5" (3.8 cm) thick x 8' (244 cm) long			
	6" (15.2 cm) wide x 1.5" (3.8 cm) thick x 8' (244 cm) long			
	8" (20.3 cm) wide x 1.5" (3.8 cm) thick x 8' (244 cm) long			
	10" (25.4 cm) wide x 1.5" (3.8 cm) thick x 8' (244 cm) long			
	12" (30.5 cm) wide x 1.5" (3.8 cm) thick x 8' (244 cm) long			
<b>IntegraHeader Material</b>	Flame Retardant Type 2, Expanded Polystyrene (EPS), Density = 1.5 pounds/cubic/feet (pcf) (24.14 kg/m <sup>3</sup> )			
<b>Incorporated Dovetail</b>	Perfect concrete bonding with EPS			
<b>IntegraHeader Details</b>	<b>4" (10.2 cm)</b>	<b>5" (12.7 cm)</b>	<b>6" (15.2 cm)</b>	<b>8" (20.3 cm)</b>
<b>Quantity</b>	30 pcs	30 pcs	30 pcs	30 pcs
<b>Packaging</b>	Shrink Wrap	Shrink Wrap	Shrink Wrap	Shrink Wrap
<b>Approx. Box Weight</b>	50 lbs (22.7 kg)	tba lbs (kg)	56 lbs (25.4 kg)	62 lbs (28.1 kg)
<b>Bundle Size</b>	96" x 15" x 12" (244 cm x 38.1 cm x 30.5 cm)	96" x tba" x tba" (244 cm x tba cm X tba cm)	96" x 15" x 17" (244 cm x 38.1 cm x 43.2 cm)	96" x 15" x 24" (244 cm x 38.1 cm x 61 cm)

## INTEGRASPACERS



FULL SPACER



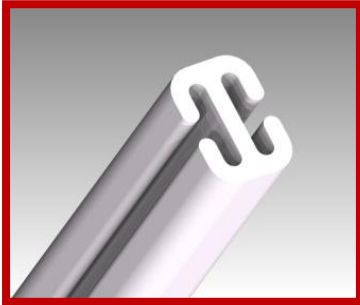
HALF SPACER

<b>Integra Spacer(s) Plastic Material</b>		High Impact Polystyrene (HIPS) (recycled material)				
<b>Unique and Special Spacer Features</b>		Bi-directional and or reversible (No top, bottom, left, or right hand side). Incorporates assorted rebar holders. Breakable in two halves. Can also be cut for custom applications.				
<b>Interlocking Design</b>		Slides in panel inserts and interlocks one on top of the other.				
<b>Typical Fastening Studs / Strapping</b>		Vertical 1 <sup>5</sup> / <sub>8</sub> " (4.13 cm) wide; located inside bucks				
<b>Spacer Sizes</b>	4" (10.2 cm)	5" (12.7 cm)	6" (15.2 cm)	8" (20.3 cm)	10" (25.4 cm)	12" (30.5 cm)
<b>Packaging</b>	Box	Box	Box	Box	Box	Box
<b>Quantity</b>	216/box	216/box	216/box	216/box	108/box	108/box
<b>Weight per Box</b>	35 lbs (16 kg)	38 lbs (17.2 kg)	41 lbs (18.6 kg)	48 lbs (21.8 kg)	27 lbs (12.3 kg)	38 lbs (17 kg)
<b>Bundle Size</b>	20" x 13.5" x 17.5" (51 cm x 34 cm x 45 cm)	25" x 11.5" x 17.5" (64 cm x 29 cm x 45 cm)	25" x 13.5" x 17.5" (64 cm x 34 cm x 45 cm)	35" x 13.5" x 17.5" (89 cm x 34 cm x 45 cm)	22" x 13.5" x 18.5" (56 cm x 34 cm x 45 cm)	25" x 13.5" x 17.5" (64 cm x 34 cm x 45 cm)

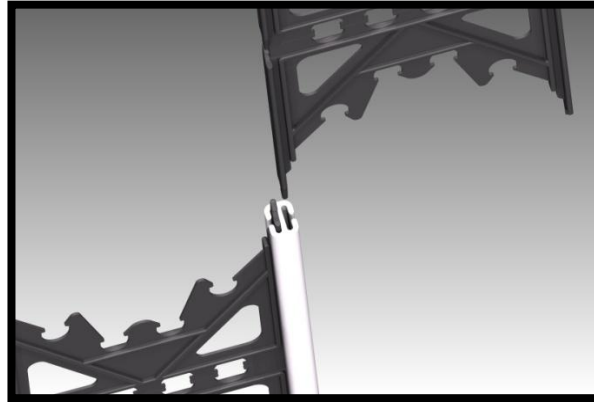
Integraspec and IntegraFB are trademarks of Integraspec Corp.

Toll Free: 1-800-382-9102 – Tel: 613-634-1319 – Fax: 613-634-2291 – Email: info@integraspec.com – Web: www.integraspec.com

## INTEGRA "H" CLIP



"H" Clip



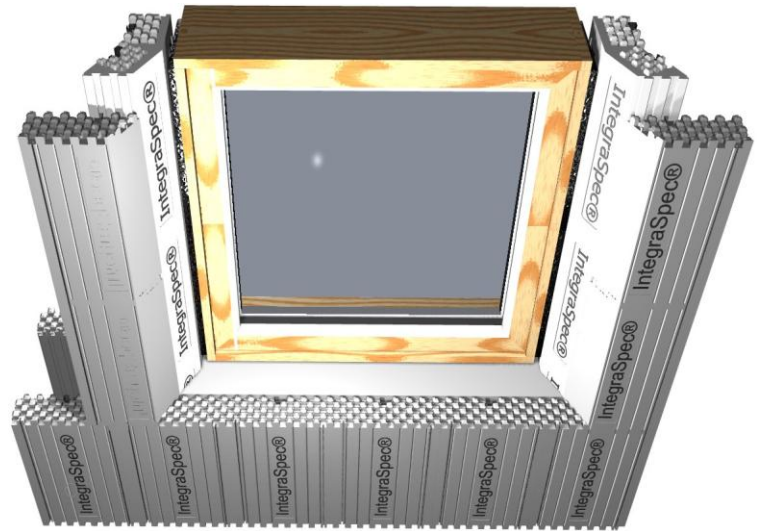
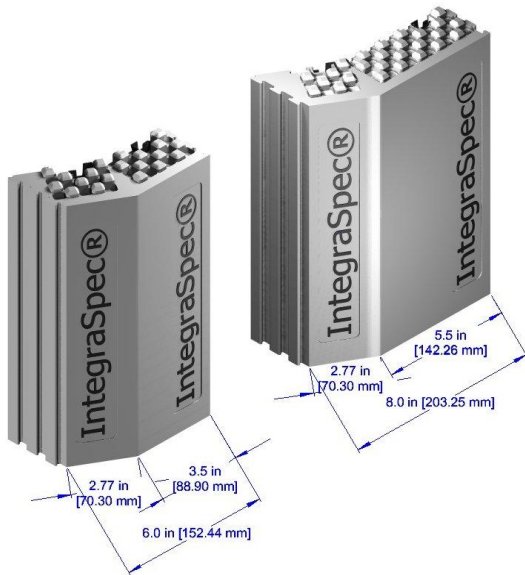
Easy slide-in Spacers



H Clip joining two 6" (15.2cm) spacers shown = 12.63" (32.07cm) concrete width

<b>"H" Clip Plastic Material</b>	PVC (2 <sup>nd</sup> generation recycled material)
<b>Unique and Special "H" Clip Features</b>	Joins two or more Integraspec Spacers together (for wider concrete wall(s) and more structural requirements)
<b>Packaging</b>	Poly-wrapped
<b>Quantity</b>	216 linear feet/bundle (54 pieces x 4 ft. (122 cm) length/bundle)
<b>Weight per Bundle</b>	27.5 lbs (12.5 kg)
<b>Bundle Size</b>	48" (243.8 cm) high x 5.5" (14 cm) long x 8" (20.0 cm) wide

## SANTA FE BUCKS 6" (15.2 cm) & 8" (20.3 cm)

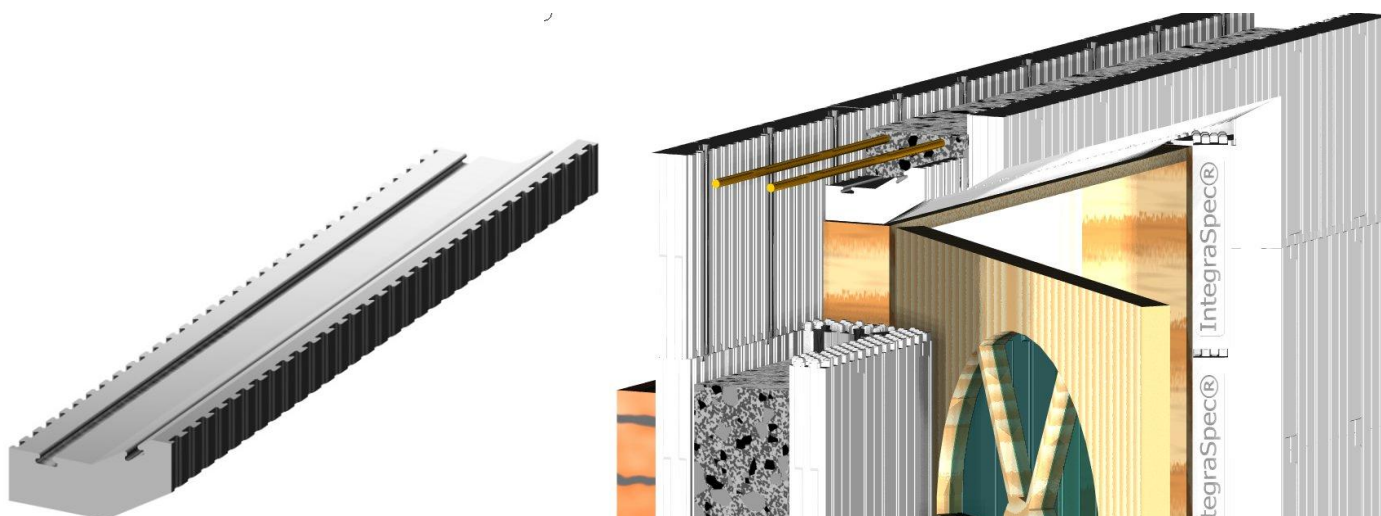


RENDERED VIEW

<b>Santa Fe Buck Dimensions</b>	<b>6" (15.2 cm) long x 2" (5.1 cm) wide x 12.25" (31.1 cm) high</b> <i>Note: part dimensions may vary slightly due to EPS material shrinkage (100% recyclable)</i>	
	<b>8" (20.3 cm) long x 2.5" (6.4 cm) wide x 12.25" (31.1 cm) high</b> <i>Note: part dimensions may vary slightly due to EPS material shrinkage (100% recyclable)</i>	
<b>Integra Foam panel(s) Material</b>	Flame Retardant Type 2, Expanded Polystyrene (EPS), Density = 1.5+ pounds/cubic/feet (pcf) (24.14 kg/m <sup>3</sup> )	
<b>Integra Plastic Insert(s) Material</b>	High Impact Polystyrene (HIPS) (100% recycled material) (2 imbedded inserts on each angle)	
<b>Unique and Special Interlocking Features of the Panels</b>	Bi-directional and or reversible (No top, bottom, left, or right hand side). Slides in panel dovetails. Enables faster and more accurate installation of rough openings and includes strapping to fasten window(s) and or door frame(s).	
<b>Special Features and Benefits</b>	a) Provides an additional 30° of viewing angle on both sides of window openings (adds 2+ LEED points for additional daylight entering the building) b) Provides a 30° wider opening for door swing and handicap access.	
<b>Interlocking Design</b>	Unique special patented friction and dovetail interlock(s)	
<b>Typical Fastening Studs/ Strapping</b>	Vertical 1 5/8" (4.13 cm) wide; located inside bucks	
<b>Integra Buck Sizes</b>	<b>6" (15.2 cm)</b>	<b>8" (20.3 cm)</b>
<b>Quantity</b>	80 pcs	80 pcs
<b>Packaging</b>	Box	Box
<b>Approx. Box Weight</b>	50 lbs (22.68 kg)	55 lbs (24.95 kg)
<b>Box Size</b>	28" x 28" x 25.5" (71.1 cm x 71.1 cm x 64.8 cm)	28" x 36" x 25.5" (71.1 cm x 91.4 cm x 64.8 cm)



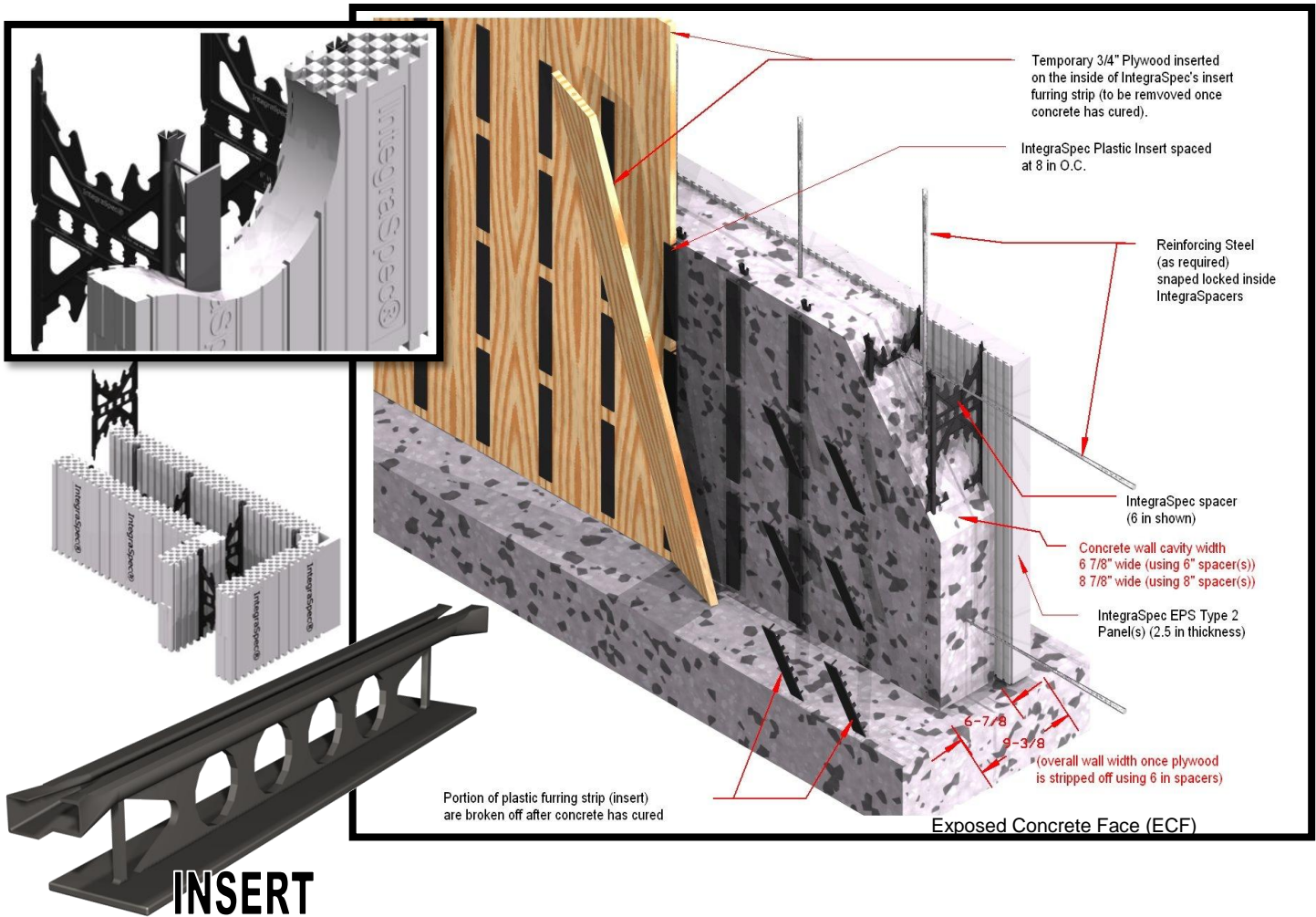
## SANTA FE HEADERS 6" (15.2 cm) & 8" (20.3 cm)



RENDERED VIEW

<b>Santa Fe IntegraBuck Dimensions</b>	<b>6" (15.2 cm) long x 2" (5.1 cm) wide x 96" (31.1 cm) high</b> <i>Note: part dimensions may vary slightly due to EPS material shrinkage (100% recyclable)</i>	
	<b>8" (20.3 cm) long x 2.5" (6.4 cm) wide x 96" (31.1 cm) high</b> <i>Note: part dimensions may vary slightly due to EPS material shrinkage (100% recyclable)</i>	
<b>Integra Foam panel(s) Material</b>	Flame Retardant Type 2, Expanded Polystyrene (EPS), Density = 1.5+ pounds/cubic/feet (pcf) (24.14 kg/m <sup>3</sup> )	
<b>Unique and Special Interlocking Features of the Panels</b>	Bi-directional and or reversible (No top, bottom, left, or right hand side). Slides in panel dovetails. Enables faster and more accurate installation of rough openings and includes strapping to fasten window and or door frame(s).	
<b>Special Features and Benefits</b>	a) Provides an additional 30° of viewing angle on both sides of window openings (adds 2+ LEED points for additional daylight entering the building) b) Provides a 30° wider opening for door swing and handicap access.	
<b>Interlocking Design</b>	Slides into panel dovetail grooves	
<b>Santa Fe IntegraHeader Sizes</b>	<b>6" (15.2 cm)</b>	<b>8" (20.3 cm)</b>
<b>Quantity</b>	12 pcs	12 pcs
<b>Packaging</b>	Shrink wrapped	Shrink wrapped
<b>Approx. Bundle Weight</b>	18 lbs (8.16 kg)	23 lbs (10.43 kg)
<b>Bundle Size</b>	19.5" x 13" x 96" (49.53 cm x 33.02 cm x 243.84 cm)	25.5" x 13" x 96" (64.77 cm x 33.02 cm x 243.84 cm)

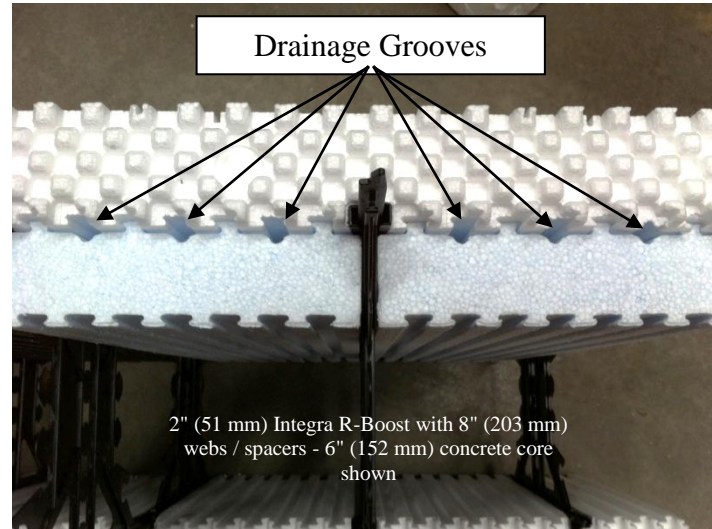
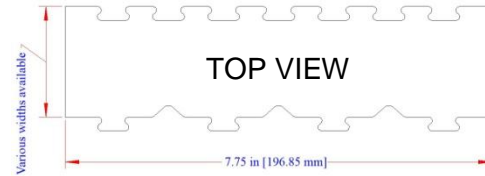
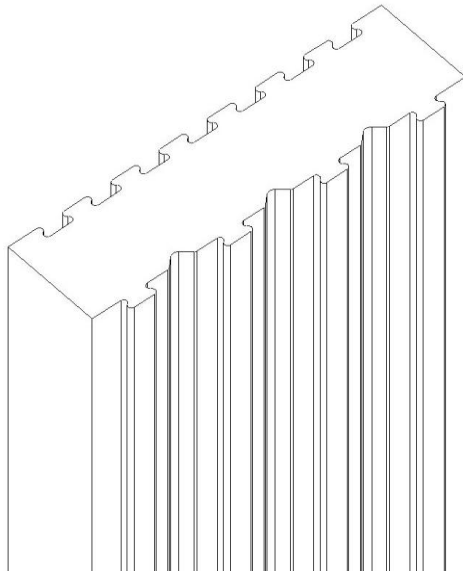
## PLASTIC INSERT(S)



**INSERT**

<b>Insert Plastic Material</b>	High Impact Polystyrene (HIIPS) reprocessed
<b>Insert Features</b>	Molded and fused / bonded within the Integraspec ICFs. May also be used in other applications such as Exposed Concrete Face (IntegraECF), elevator shaft, stair case, warehouse, garage / parking, non-combustible wall, privacy fence, etc...
<b>Packaging</b>	Cardboard Box
<b>Quantity</b>	288 pcs/box
<b>Weight per Bundle</b>	51 lbs (23.13 kg)
<b>Box Size</b>	24" (60.96 cm) x 13.25" (33.65 cm) x 12.5" (31.75 cm)

## INTEGRA R-BOOST



<b>Integra R-Boost Material</b>	Expanded Polystyrene (EPS) (Available in EPS Type 1, 2 and *NEOPOR®) <small>*NEOPOR® is a registered trademark of BASF</small>			
<b>Various Thicknesses available (custom thickness also available)</b>	1" (25.4 mm); 2" (51 mm); 3" (76 mm); 4" (102 mm); 5" (127 mm); 6" (152 mm) (custom thickness also available)			
<b>Dimensions</b>	Width = 7.75" (197mm) x Length = 24.5" (622mm)			
<b>Additional R-value, (RSI), [European U-value]</b>	<b>Thickness</b>	<b>EPS Type 1</b>	<b>EPS Type 2</b>	<b>*NEOPOR®</b>
	2" (51mm)	7.96, (1.40), [0.71]	8.40, (1.48), [0.67]	9.80, (1.73), [0.58]
	3" (76mm)	11.94, (2.1), [0.48]	12.6, (2.22), [0.45]	14.7, (2.59), [0.39]
	4" (102mm)	15.92, (2.8), [0.36]	16.8, (2.96), [0.33]	19.6, (3.45), [0.29]
	5" (127mm)	19.9, (3.50), [0.29]	21.0, (3.70), [0.27]	24.5, (4.31), [0.23]
	6" (152mm)	23.9, (4.20), [0.24]	25.2, (4.44), [0.22]	29.4, (5.18), [0.19]
<b>Features</b>	Increases insulation and sound reduction, incorporates dovetail grooves for the use of IntegraBucks and for positive mechanical attachment to both the form and the concrete. The Integra R-Boost EPS inserts, in combination with the ICF panel dovetail grooves, incorporate continuous vertical drainage grooves every 2" (51 mm) on center, which functions as a rain screen (where required).			
<b>Installation</b>	Easy add-on, simply slide in the Integraspec panel dovetail grooves; recommended on exterior side of wall although may be used on both sides. Minimum adjustments or modifications at corners.			
<b>Packaging</b>	Poly-wrapped			
<b>Quantity</b>	60 pcs/bundle			
<b>Weight/Bundle</b> 2" (51mm) shown	15.5 lbs (7.03 kg) - EPS Type 2			
<b>Bundle Size</b> 2" (51mm) shown	Approx. 49.5" (1257 mm) x 24" (610 mm) x 22.5" (572 mm)			

## IntegraFB™ 16

Type 2 Expanded Polystyrene Rigid Insulation

### TECHNICAL DATA SHEET

MASTERFORMAT® # 07 21 13.13 FOAM BOARD INSULATION

The **IntegraFB™ 16** boards are composed of type 2 expanded polystyrene (EPS) rigid insulation and offer a compressive strength of 110 kPa (16 PSI).

### RECOMMENDED USE

**IntegraFB™ 16** boards are the most versatile and can be used in many applications, both exterior and interior, above or below ground level. Install **IntegraFB™ 16** boards on the interior and exterior surface of foundation walls, the interior and exterior surface of the framework, underneath the basement finished concrete slab and concrete slab of residential garages, flat and cathedral ceilings as well as flat and sloped roofs in order to obtain a continuous thermal envelope. Ideal to insulate exterior surface of framework walls and under finished basement concrete slab. Suitable for renovation projects and new construction.

### AVAILABLE DIMENSIONS

1219 mm x 2438 mm and 610 mm x 2438 mm (48" x 96" and 24" x 96")

Square joints by default. Ship lap joints available on two sides for 25 mm (1") thick panels. For panels with a minimum thickness of 38 mm (1½"), ship lap joints available on two or four sides.

Thickness	U-value / [R-value]
25 mm (1")	0.25 [R4]
32 mm (1¼")	0.20 [R5]
38 mm (1½")	0.17 [R6]
51 mm (2")	0.13 [R8]
64 mm (2½")	0.10 [R10]
76 mm (3")	0.08 [R12]
102 mm (4")	0.06 [R16]



### CERTIFICATION

Warnock Hersey has certified the type 2 expanded polystyrene contained in **IntegraFB™ 16** boards manufactured by StyroRail™ in accordance with the CAN/ULC-S701-11 standard. The type 2 expanded polystyrene manufactured by StyroRail™ is listed in the CCMC Registry of Product Evaluation under CCMC 13271-L.

### ADVANTAGES

- Permanent R-value - does not diminish with time
- More dimensionally stable than required
- Closed rigid plastic cells allow water vapor diffusion while maintaining insulating value
- Versatile, lightweight, easy to transport and install
- 100% recyclable material

**Integraspec and IntegraFB are trademarks of Integraspec Corp.**

Toll Free: 1-800-382-9102 – Tel: 613-634-1319 – Fax: 613-634-2291 – Email: [info@integraspec.com](mailto:info@integraspec.com) – Web: [www.integraspec.com](http://www.integraspec.com)



## IntegraFB™ 20

Type 3 Expanded Polystyrene Rigid Insulation

### TECHNICAL DATA SHEET

MASTERFORMAT® # 07 21 13.13 FOAM BOARD INSULATION

The **IntegraFB™20** boards are composed of type 3 expanded polystyrene (EPS) rigid insulation and offer a compressive strength of 140 kPa (20 PSI).

### RECOMMENDED USE

Install **IntegraFB™20** boards in order to obtain a higher R-value than IntegraFB™16 boards on the interior and exterior surface of foundation walls, the interior and exterior surface of the framework, underneath the basement finished concrete slab, flat and cathedral ceilings as well as flat and sloped roofs in order to obtain a continuous thermal envelope. Ideal to insulate concrete slab of residential garages. Suitable for renovation projects and new construction.

### AVAILABLE DIMENSIONS

1219 mm x 2438 mm and 610 mm x 2438 mm (48" x 96" and 24" x 96")

Square joints by default. Ship lap joints available on two sides for 25 mm (1") thick panels. For panels with a minimum thickness of 38 mm (1-½"), ship lap joints available on two or four sides.

Thickness	U-Value / [R-value]	
25 mm (1")	0.24	[R4.2]
30 mm (1 <sup>3</sup> / <sub>16</sub> " )	0.20	[R5.0]
38 mm (1½")	0.16	[R6.3]
51 mm (2")	0.12	[R8.4]
60 mm (2 <sup>3</sup> / <sub>8</sub> " )	0.10	[R10.0]
64 mm (2½")	0.09	[R10.5]
76 mm (3")	0.07	[R12.6]

Foam Board printing not as shown



### CERTIFICATION

Warnock Hersey has certified the type 3 expanded polystyrene contained in **IntegraFB™20** boards manufactured by StyroRail™ in accordance with the CAN/ULC-S701-11 standard. The type 3 expanded polystyrene manufactured by StyroRail™ is listed in the CCMC Registry of Product Evaluation under CCMC 13277-L.

### ADVANTAGES

- Permanent R-value - does not diminish with time
- The most dimensionally stable of the three available types at Integraspec®
- High density
- Excellent moisture resistance
- Closed rigid plastic cells allow water vapor diffusion while maintaining insulating value permanently
- Versatile, lightweight, easy to transport and install
- 100% recyclable material

**Integraspec and IntegraFB are trademarks of Integraspec Corp.**

Toll Free: 1-800-382-9102 – Tel: 613-634-1319 – Fax: 613-634-2291 – Email: [info@integraspec.com](mailto:info@integraspec.com) – Web: [www.integraspec.com](http://www.integraspec.com)



## IntegraFB™ 25

Type 3 Expanded Polystyrene Rigid Insulation

### TECHNICAL DATA SHEET

MASTERFORMAT® # 07 21 13.13 FOAM BOARD INSULATION

The **IntegraFB™ 25** boards are composed of type 3 expanded polystyrene (EPS) rigid insulation and offer a compressive strength of 172 kPa (25 PSI).

### RECOMMENDED USE

Install **IntegraFB™ 25** boards in order to obtain a higher R-value than **IntegraFB™ 16** boards on the interior and exterior surface of foundation walls, the interior and exterior surface of the framework, underneath the basement finished concrete slab, flat and cathedral ceilings as well as flat and sloped roofs in order to obtain a continuous thermal envelope. Ideal to insulate concrete slab of residential garages. Suitable for renovation projects and new construction.

### AVAILABLE DIMENSIONS

1219 mm x 2438 mm and 610 mm x 2438 mm (48" x 96" and 24" x 96")

Square joints by default. Ship lap joints available on two sides for 25 mm (1") thick panels. For panels with a minimum thickness of 38 mm (1-½"), ship lap joints available on two or four sides.

Thickness	U-Value / [R-value] / (RSI)
25 mm (1")	0.23 [R4.3] (0.76)
38 mm (1½")	0.15 [R6.45] (1.14)
51 mm (2")	0.12 [R8.6] (1.51)
60 mm (2 <sup>5</sup> / <sub>16</sub> ")	0.10 [R10.0] (1.76)
64 mm (2½")	0.09 [R10.75] (1.89)
76 mm (3")	0.08 [R12.9] (2.27)
102mm (4")	0.06 [R17.2] (3.03)

**All Sizes Special Order**

Foam Board printing not as shown



### CERTIFICATION

Warnock Hersey has certified the type 3 expanded polystyrene contained in **IntegraFB™ 25** boards is in accordance with the CAN/ULC-S701-11 standard. The type 3 expanded polystyrene board manufactured by StyroRail™ is also listed in the CCMC Registry of Product Evaluation under CCMC 13277-L.

### ADVANTAGES

- Permanent R-value - does not diminish with time
- The most dimensionally stable of the three available types at Integraspec®
- High density
- Excellent moisture resistance
- Closed rigid plastic cells allow water vapor diffusion while maintaining insulating value permanently
- Versatile, lightweight, easy to transport and install
- 100% recyclable material

**Integraspec and IntegraFB are trademarks of Integraspec Corp.**

Toll Free: 1-800-382-9102 – Tel: 613-634-1319 – Fax: 613-634-2291 – Email: info@integraspec.com – Web: www.integraspec.com

## IntegraFB™ 30

Type 3 Expanded Polystyrene Rigid Insulation - High Compressive Strength

### TECHNICAL DATA SHEET

MASTERFORMAT® # 07 21 13.13 FOAM BOARD INSULATION

The **IntegraFB™30** boards are composed of type 3 expanded polystyrene (EPS) rigid insulation and offer a compressive strength of 207 kPa (30 PSI).

### RECOMMENDED USE

Install **IntegraFB™30** boards when applications require a superior compressive strength insulating material. Ideal to insulate concrete slab of commercial garages. Can also be used as insulating material underneath residential concrete slabs. Suitable for renovation projects and new construction.

### AVAILABLE DIMENSIONS

1219 mm x 2438 mm and 610 mm x 2438 mm (48" x 96" and 24" x 96")

Square joints by default. Ship lap joints available on two sides for 25 mm (1") thick panels. For panels with a minimum thickness of 38 mm (1-½"), ship lap joints available on two or four sides.

Thickness	U-value / [R-value]	
25 mm (1")	0.23	[R4.3]
38 mm (1½")	0.15	[R6.5]
51 mm (2")	0.12	[R8.6]
59 mm (2 <sup>5</sup> / <sub>16</sub> " )	0.10	[R10.0]
64 mm (2½")	0.09	[R10.8]
76 mm (3")	0.08	[R12.9]



### CERTIFICATION

Warnock Hersey has certified the type 3 expanded polystyrene contained in **IntegraFB 30** boards manufactured by StyroRail™ in accordance with the CAN/ULC-S701-11 standard. The type 3 expanded polystyrene manufactured by StyroRail™ is listed in the CCMC Registry of Product Evaluation under CCMC 13277-L.

### ADVANTAGES

- High compressive strength
- Available in a wide variety of thicknesses and widths
- 100% recyclable material

## IntegraFB™ 40

Very High Compressive Strength Expanded Polystyrene Rigid Insulation

### TECHNICAL DATA SHEET

MASTERFORMAT® # 07 21 13.13 FOAM BOARD INSULATION

The **IntegraFB™ 40** boards are composed of type 3 expanded polystyrene (EPS) rigid insulation and offer a compressive strength of 276 kPa (40 PSI).

### RECOMMENDED USE

Install **IntegraFB 40** insulation boards when applications require a very high compressive strength insulating material. Ideal to insulate concrete footings of all types of construction and as an insulating material under pavement for road infrastructures and parking garage. Can also be used as insulating material underneath residential, commercial, industrial and agricultural concrete slabs.

### AVAILABLE DIMENSIONS

1219 mm x 2438 mm and 610 mm x 2438 mm (48" x 96" and 24" x 96")

Square joints by default. Ship lap joints available on two sides for 25 mm (1") thick panels. For panels with a minimum thickness of 38 mm (1-½"), ship lap joints available on two or four sides.

Thickness	U-Value / [R-value]
25 mm (1")	0.23 [R4.3]
38 mm (1½")	0.15 [R6.5]
51 mm (2")	0.12 [R8.6]
59 mm (2 <sup>5</sup> / <sub>16</sub> " )	0.10 [R10.0]
76 mm (3")	0.08 [R12.9]



### CERTIFICATION

Warnock Hersey has certified the type 3 expanded polystyrene contained in **IntegraFB 40** boards manufactured by StyroRail™ in accordance with the CAN/ULC-S701-11 standard. The type 3 expanded polystyrene manufactured by StyroRail™ is listed in the CCMC Registry of Product Evaluation under CCMC 13277-L.

### ADVANTAGES

- Very high compressive strength
- Best compressive resistance per dollar
- Available in a wide variety of thicknesses and widths
- 100% recyclable material

**Integraspec and IntegraFB are trademarks of Integraspec Corp.**

Toll Free: 1-800-382-9102 – Tel: 613-634-1319 – Fax: 613-634-2291 – Email: [info@integraspec.com](mailto:info@integraspec.com) – Web: [www.integraspec.com](http://www.integraspec.com)

## IntegraFB™ 60

Type 3 Ultra-High Compressive Strength Expanded Polystyrene Rigid Insulation

### TECHNICAL DATA SHEET

MASTERFORMAT® # 07 21 13.13 FOAM BOARD INSULATION

The **IntegraFB™ 60** boards are composed of type 3 expanded polystyrene (EPS) rigid insulation and offer an ultra-high compressive strength of 414 kPa (60 PSI).

### RECOMMENDED USE

Install **IntegraFB™ 60** insulation boards when applications require an ultra-high compressive strength insulating material. Ideal to insulate concrete footings of all types of construction, more specifically footings of concrete structures, as an insulating material under pavement for road infrastructures, paving stones and asphalt parking. Can also be used as insulating material underneath residential, commercial, industrial and agricultural concrete slabs.

### AVAILABLE DIMENSIONS

1219 mm x 2438 mm (48" x 96")

Square joints by default. Ship lap joints available on four sides.

Thickness	U-value / [R-value]
28 mm (1 <sup>3</sup> / <sub>32</sub> " )	0.20 [R5.0]
55 mm (2 <sup>3</sup> / <sub>16</sub> " )	0.10 [R10.0]
83 mm (3 <sup>1</sup> / <sub>4</sub> " )	0.07 [R15.0]
111 mm (4 <sup>3</sup> / <sub>8</sub> " )	0.05 [R20.0]

### Special Order

### CERTIFICATION

Warnock Hersey has certified the type 3 expanded polystyrene contained in **IntegraFB™ 60** boards manufactured by StyroRail™ in accordance with the CAN/ULC-S701-11 standard. The type 3 expanded polystyrene manufactured by StyroRail™ is listed in the CCMC Registry of Product Evaluation under CCMC 13277-L.

### ADVANTAGES

- Highest compressive strength
- Available in a wide variety of thicknesses and widths
- 100% recyclable material



## IntegraFB™ HydroPx

Type 2 or 3 Expanded Polystyrene Rigid Insulation (16, 20, 30, 40, and 60 psi)

### TECHNICAL DATA SHEET

MASTERFORMAT® # 07 21 13.13 FOAM BOARD INSULATION

The **IntegraFB HydroPx** boards are produced with type 2 expanded polystyrene (EPS) rigid insulation (or type 3). The honeycomb-layout allows for incremental spacing of 76 mm (3") for accurate and secure placement of the hydronic tubing in both directions.

### RECOMMENDED USE

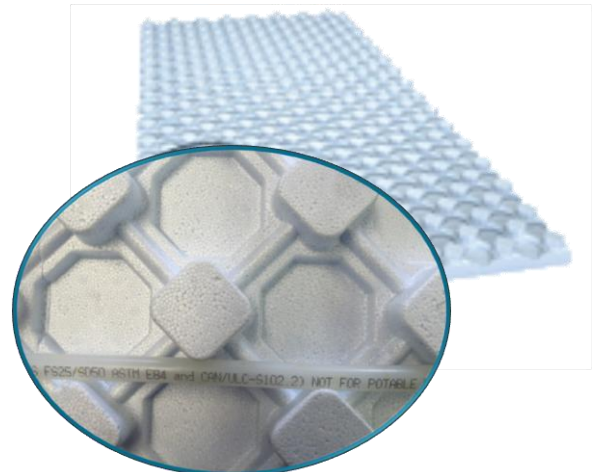
**IntegraFB HydroPx** boards are specifically designed for insulating hydronic radiant concrete floor's underside. Boards are available in several compressive strengths and densities. Recommended use in residential, commercial, industrial, agricultural, institutional, recreational (and many more applications such as driveways, pools, etc...).

### AVAILABLE DIMENSIONS

1219 mm x 2438 mm (48" x 96") Ship Lap (four sides)

Available Thicknesses	16	20	30	40	60
64 mm [2-½"]	R10	R10.5	R10.8	R10.8	R11.5

Highlighted area - special order



### CERTIFICATION

Certified by Warnock Hersey, the IntegraFB HydroPx boards made of EPS type 2 (and type 3) are manufactured by StyroRail™ in accordance with the CAN/ULC-S701-11 and respectively listed in the CCMC's Registry of Product Evaluation, report No: CCMC 13271-L and CCMC 13277-L.

### ADVANTAGES

- Honeycomb-layout allows incremental spacing of 76 mm (3") in both directions
- Various compressive strengths available, from 110 kPa to 414 kPa (16 PSI to 60 PSI)
- Designed to firmly hold tubing in place for proper concrete consolidation around hydronic tubing
- Eliminates wire mesh installation (where not required)
- Insulates concrete floor for best thermal mass effect and heat retention / radiation
- 100% recyclable material
- Permanent R-value - insulating value will not diminish over time



## IntegraFB™ STR

Type 2 Expanded Polystyrene Rigid Insulation with Integrated Wood Furring / Strapping

### TECHNICAL DATA SHEET

MASTERFORMAT® # 07 21 13.13 FOAM BOARD INSULATION

The **IntegraFB™ 16 STR** panels are made of type 2 expanded polystyrene (EPS) rigid insulation with embedded 25 mm x 76 mm (1" x 3") wood furring / strapping located at every 406 mm (16") OC.

### RECOMMENDED USE

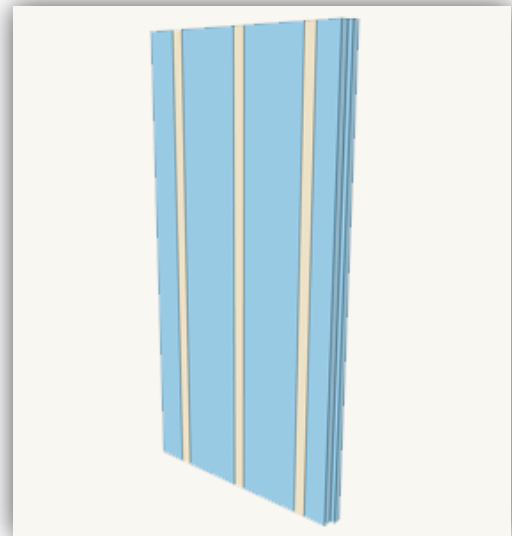
**IntegraFB16 STR** panels are very versatile and can be used in many applications requiring the fastening of finished material. Most common use is on flat and cathedral ceilings (including dormers) which enables a continuous thermal envelope with abutting Integraspec ICF walls. Also, ideal for insulating exterior structures (balconies, overhangs, floor over garage, roof entries, etc). All must be covered with finishing material and or thermal barrier (where applicable). Suitable for renovation and new construction.

### AVAILABLE DIMENSIONS

1219 mm x 2438 mm (48" x 96")  
 1219 mm x 2743 mm (48" x 108")

Ship lap joints on two sides.

38 mm	(1-½")	R6.0
51 mm	(2")	R8.0
64 mm	(2-½")	R10.0
76 mm	(3")	R12.0
89 mm	(3-½")	R14.0
102 mm	(4")	R16.0



### CERTIFICATION

Warnock Hersey has certified the type 2 expanded polystyrene contained in **IntegraFB16 STR** boards manufactured by StyroRail™ is in accordance with the CAN/ULC-S701-11 standard. The type 2 expanded polystyrene is also listed in the CCMC Registry of Product Evaluation under StyroRail™, CCMC # 13271-L.

### ADVANTAGES

- Excellent moisture resistance
- High energy efficiency
- Furring / strapping and insulation installation in one step
- Variety of uses (foundations, walls, ceilings, floors)

**Type 1 Expanded  
Polystyrene also available**

## IntegraFB™ Reflx

Graphite Expanded Polystyrene Rigid Insulation combined to a Vapor Barrier Reflective Membrane

### TECHNICAL DATA SHEET

MASTERFORMAT® # 07 21 13.13 FOAM BOARD INSULATION  
 MASTERFORMAT® # 07 26 13 ABOVE GRADE VAPOR RETARDERS

The **IntegraFB™ Reflx** panels are composed of type 2 graphite expanded polystyrene rigid insulation (Neopor® EPS from BASF) laminated to a vapor barrier reflective membrane with a reflectivity rate of 83%.

### RECOMMENDED USE

Install **IntegraFB™ Reflx** panels on the interior surfaces of framework.

### AVAILABLE DIMENSIONS

1219 mm x 2438 mm                    (48" x 96")  
 1219 mm x 2477 mm                    (48" x 97½")

### Two side ship lap joints.

25 mm                    (1")                    R4.8

### ADVANTAGES

- Higher insulating value per inch
- Maximizes the R-value of the wall by reflection of heat
- Time saving - combining insulation and vapor barrier installation steps
- Reduces risk of mould within walls
- Meets CAN/ULC S701-11 Standard

### TECHNICAL DATA

#### PHYSICAL PROPERTIES

IntegraFB™ Reflx	
Thermal Resistance Min. (ASTM C518) Thickness of 25 mm (1")	RSI 0,84 (R4.75)
MVTR Max. (ASTM E96)	200 ng/Pa·s·m <sup>2</sup> (3.5 Perm)
Compressive Strength Min. (ASTM D1621) 10% Deformation	110 kPa (16 PSI)
Flexural Strength Min. (ASTM C203)	240 kPa (35 PSI)

**Integraspec and IntegraFB are trademarks of Integraspec Corp.**

Toll Free: 1-800-382-9102 – Tel: 613-634-1319 – Fax: 613-634-2291 – Email: info@integraspec.com – Web: www.integraspec.com

## IntegraFB™ Reflx (cont.)

Water Absorption Max. (ASTM D2842) Volume	4 %
Dimensional Stability Max. (ASTM D2126) Linear Variation	1.5 %
Limiting Oxygen Index Min. (ASTM D2863)	24 %
Density Min. (ASTM C303)	20 kg/m <sup>3</sup> (1.2 lbs/ft <sup>3</sup> )
Flame Spread Rating Neopor® (CAN/ULC S102.2)	240

<b>Reflective Membrane*</b>		
Thickness		1.1 mil.
Elasticity Limit		188mPa 27 300 PSI
Sealing Temperature		104-121°C 220-250 °F
Friction Coefficient (ASTM D1894) Face to Face		0.4-0.5
Tensile Strength (ASTM D882)	MD**	148 mPa 21 500 PSI
Tensile Strength (ASTM D882)	CD	314 mPa 45 500 PSI
Elongation (ASTM D882)	MD**	200 %
Elongation (ASTM D882)	CD	60 %
Water Vapor Transmission Rate (ASTM F1249)		0.016 ng/Pa·s·m <sup>2</sup> (0.00028 US Perm)
Oxygen Transfer Rate (ASTM F2622)		2.0 cc/100 in <sup>2</sup> /24h

\* Average data provided by the reflective membrane manufacturer.

\*\* MD Machine Direction, CD Cross Machine Direction

<b>IntegraFB™ Reflx</b>	
<b>MVTR Max.</b> (ASTM E96)	60 ng/Pa·s·m <sup>2</sup> (1.0 US Perm)

## IntegraFB™ RAD

Expanded Polystyrene Rigid Insulation combined to a Vapor Barrier Reflective Membrane

### TECHNICAL DATA SHEET

MASTERFORMAT® # 07 21 13.13 FOAM BOARD INSULATION  
MASTERFORMAT® # 07 26 16 BELOW-GRADE VAPOR RETARDERS

The **IntegraFB RAD** boards are composed of type 1 expanded polystyrene (EPS) rigid insulation laminated to a vapor barrier reflective membrane having a reflectivity rate of 95%.

### RECOMMENDED USE

Install **IntegraFB RAD** panels on the interior surface of foundation walls, the reflective surface towards an enclosed air space with furring. Suitable for renovation projects and new construction.

### AVAILABLE DIMENSIONS

1219 mm x 2438 mm (48" x 96")

Two side ship lap joints.

51 mm (2") R13.0

79 mm (3<sup>1</sup>/<sub>8</sub>") R17.2\*



\* Effective R-value based on typical wall assembly (ASTM C1363): concrete wall 200 mm (8") with normal density aggregates, IntegraFB RAD, wood furring 25 mm x 76 mm (1"x3") at 600 mm (24") OC, gypsum 12.7 mm (½"), interior air film.

### CERTIFICATION

Warnock Hersey has certified the type 1 expanded polystyrene contained in **IntegraFB RAD** boards manufactured by StyroRail™ are in accordance with the CAN/ULC-S701-11 standard. The type 1 expanded polystyrene manufactured by StyroRail™ is also listed in the CCMC Registry of Product Evaluation under CCMC 13276-L.

### ADVANTAGES

Maximizes the R-value of the wall by reflecting heat

Time saving - insulation and vapor barrier in one application

Reduces risk of mould within walls

Reduces the risk of moisture condensation on the cold part of the concrete (interior application on the foundation)

100% recyclable material

Permanent R-value - does not diminish with time

**Integraspec and IntegraFB are trademarks of Integraspec Corp.**

Toll Free: 1-800-382-9102 – Tel: 613-634-1319 – Fax: 613-634-2291 – Email: info@integraspec.com – Web: www.integraspec.com

## IntegraFB™ RAD (cont.)

### TECHNICAL DATA PHYSICAL PROPERTIES

<b>IntegraFB™ RAD</b>	
Thermal Resistance Min. (ASTM C518) Thickness of 25 mm (1")	RSI 0,65 (R3.7)
MVTR Max. (ASTM E96)	300 ng/Pa·s·m <sup>2</sup> (5.24 US Perm)
Compressive Strength Min. (ASTM D1621) 10% Deformation	70 kPa (10 PSI)
Flexural Strength Min. (ASTM C203)	170 kPa (25 PSI)
Water Absorption Max. (ASTM D2842) Volume	6 %
Dimensional Stability Max. (ASTM D2126) Linear Variation	1.5 %
Limiting Oxygen Index Min. (ASTM D2863)	24 %
Density Min. (ASTM C303)	16 kg/m <sup>3</sup> (1.0 lbs/pi <sup>3</sup> )

<b>Reflective Membrane*</b>	
Thickness	6.0-7.0 mil.
Tensile Strength Min. (ASTM D882)	50 N/mm <sup>2</sup>
Elongation Min. (ASTM D882)	0.5%

\* Approximate data provided by the manufacturer.

### ENVIRONMENTAL DATA

Expanded polystyrene boards are composed of 98% air and 2% plastic material. They are manufactured without HCFC, HFC gases, and / or HBCD flame retardant.

### STORAGE AND COVERING

Store boards in a dry location, protected from the outside elements, ultraviolet rays, open flames or other sources of ignition. Stack boards on pallets of minimum 100 mm (4") above the ground. If provided packaging has been damaged during shipping, cover boards with a weather / ultraviolet cover. Boards must be dry and in good condition before installation.

To limit the color loss from UV exposure, cover the installed boards with an exterior cladding protecting from ultraviolet rays.

**Integraspec and IntegraFB are trademarks of Integraspec Corp.**

Toll Free: 1-800-382-9102 – Tel: 613-634-1319 – Fax: 613-634-2291 – Email: info@integraspec.com – Web: www.integraspec.com



## IntegraFB™ AIR

Expanded Polystyrene Rigid Insulation combined to an Air | Weather Barrier

### TECHNICAL DATA SHEET

MASTERFORMAT® # 07 21 13.13 Foam Board Insulation

MASTERFORMAT® # 07 27 23 Board Product Air Barriers

The **IntegraFB™16AIR** boards are composed of type 2 expanded polystyrene (EPS) rigid insulation laminated to an air and weather barrier.

### RECOMMENDED USE

Install **IntegraFB™16AIR** panels on the exterior surface of framed walls in order to obtain a continuous thermal envelope, a barrier against potential air infiltration beneath the exterior siding and in order to limit unforeseen water infiltrations.

### AVAILABLE DIMENSIONS

1219 mm x 2438 mm	(48" x 96")
1219 mm x 2743 mm	(48" x 108")

Ship lapped joints on two sides.

25 mm	(1")	R4.0
38 mm	(1-½")	R6.0
51 mm	(2")	R8.0
64 mm	(2-½")	R10.0
76 mm	(3")	R12.0



### CERTIFICATION

Warnock Hersey has certified the type 2 expanded polystyrene contained in **IntegraFB™16 AIR** boards manufactured by STYRORAIL™ in accordance with the CAN/ULC-S701-11 standard. The type 2 expanded polystyrene is listed in the CCMC Registry of Product Evaluation under STYRORAIL CCMC # 13271-L. The air and weather barrier contained in **IntegraFB™16 AIR** boards is listed in the CCMC Registry of Product Evaluation under CCMC 13292-R and CCMC 13329-R.

### CHARACTERISTICS

Complete air tightness – 100% sealed joints by the 4" overlaps on two sides  
Eliminates sealing tapes at joints  
Continuous insulation – eliminating thermal bridges  
Breathable membrane, allowing for moisture vapor to escape  
Membrane pushes the water droplets towards the exterior  
Meets CAN/ULC-S701-11 standard

**Integraspec and IntegraFB are trademarks of Integraspec Corp.**

Toll Free: 1-800-382-9102 – Tel: 613-634-1319 – Fax: 613-634-2291 – Email: [info@integraspec.com](mailto:info@integraspec.com) – Web: [www.integraspec.com](http://www.integraspec.com)

## IntegraFB™ AIR (cont.)

### TECHNICAL DATA

#### PHYSICAL PROPERTIES

Thermal Resistance Min. (ASTM C518) Thickness of 25 mm (1")	RSI 0,70 (R4.0)
MVTR Max. (ASTM E96)	200 ng/Pa·s·m <sup>2</sup> (3.5 US Perm)
Compressive Strength Min. (ASTM D1621) 10% Deformation	110 kPa (16 PSI)
Flexural Strength Min. (ASTM C203)	240 kPa (35 PSI)
Water Absorption Max. (ASTM D2842) Volume	4 %
Dimensional Stability Max. (ASTM D2126) Linear Variation	1.5 %
Limiting Oxygen Index Min. (ASTM D2863)	24 %
Density Min. (ASTM C303)	20 kg/m <sup>3</sup> (1.25 lbs/ft <sup>3</sup> )
Flame Spread Rating Regular (CAN/ULC S102.2)	145

<b>Air and Weather Barrier Membrane*</b>	
<b>Tensile Strength</b> (ASTM D5034) <b>MD**</b>	222 N (50 lbs.-force)
<b>Tensile Strength</b> (ASTM D5034) <b>CD**</b>	178 N (40 lbs.-force)
<b>Tear Strength</b> (ASTM D4533) <b>MD**</b>	89 N (20 lbs.-force)
<b>Tear Strength</b> (ASTM D4533) <b>CD**</b>	68 N (15 lbs.-force)
Mullen Burst Strength (ASTM D3786)	703 kPa (102 PSI)
<b>Water Resistance – hydrostatic pressure</b> (AATCC 127)	581 cm
<b>MVTR</b> (ASTM E96)	629 ng/Pa·s·m <sup>2</sup> (11 US Perm)

## IntegraFB™ AIR (cont.)

<b>Fire Resistance</b> (ASTM E84)	Class A
<b>Air Permeance Max.</b> (ASTM E2178) @ 75 Pa	0.0014 L/s·m <sup>2</sup> (0.003 cfm/ft <sup>2</sup> )
Low Temperature Flexibility (ASTM D1970)	-50 <sup>0</sup> C Pass
Air porosity (TAPPI T460)	>1800 seconds/100 cc
UV Weathering	UV stabilizer added to coating and fabric for 6 months resistance

\* Data provided by the manufacturer

\*\* MD Machine Direction, CD Cross Machine Direction

<b>IntegraFB™16 AIR</b>	
<b>MVTR Min.</b> (ASTM E96)	60 ng/Pa·s·m <sup>2</sup> (1.0 US Perm)

### ENVIRONMENTAL DATA

Expanded polystyrene boards are composed of 98% air and 2% plastic material. They are manufactured without HCFC, HFC gases and HBCD flame retardant.

### STORAGE

Store boards in a dry location, protected from the outside elements, ultraviolet rays, open flames or other sources of ignition. Stack boards on pallets of minimum 100 mm (4") above the ground.

### INSTALLATION

Boards must be dry and in good condition before installation.

To limit the color loss from UV exposure, cover the installed boards with an exterior cladding protecting them from ultraviolet rays.

### LIMITATIONS

Expanded polystyrene is combustible. Even if expanded polystyrene contains a flame retardant, limit use of open flame or ignition sources near product. A protective barrier or thermal barrier is required as specified in the appropriate building code.

Expanded polystyrene may be affected by some oil based solvents.

### EXEMPTION FROM LIABILITY

The information herein is based on the present state of our best scientific and practical knowledge of the manufacturer. The user is responsible for checking the suitability of products for their intended use. It is the user's responsibility to obtain and to confirm the most recent version. Information contained in this data sheet may change without notice.

**Integraspec and IntegraFB are trademarks of Integraspec Corp.**

Toll Free: 1-800-382-9102 – Tel: 613-634-1319 – Fax: 613-634-2291 – Email: info@integraspec.com – Web: www.integraspec.com

## IntegraProof™

### DESCRIPTION

IntegraProof™ is a self-adhering waterproofing membrane composed of SBS modified bitumen and a tri-laminated woven polyethylene fabric. The under face craft paper is lined with a silicone release film for easy peeling.

IntegraProof is specially designed and formulated for damproofing and waterproofing of IntegraSpec ICF below grade foundation walls.

### RECOMMENDED SUBSTRATES

IntegraProof is applied directly onto the IntegraSpec ICF.

### SURFACE PREPARATION

Surface must be clean, free of dust, dry, and also even (use low expanding foam (gun foam), rasping to repair uneven or damaged EPS area). Surface does not require priming although, it is recommended to apply a strip of primer at the top start of the membrane (approx. 400 mm (16 in)) which will ensure proper bonding at the top. When special conditions requires a primer such as waterproofing or high concentration of dust, IntegraSpec recommends the use of the water-based ELASTOCOL STICK H<sub>2</sub>O primer for proper bonding of the membrane. **Important: Never use a solvent-based primer as it will damage / dissolve the polystyrene surface and create permanent damage.**

### INSTALLATION - SELF-ADHESIVE

IntegraProof membrane is installed by peeling off the backing craft paper progressively while adhering the membrane to the wall; it is highly recommended to install the membrane vertically. While installing/adhering the membrane, apply an even pressure over the entire surface of the membrane (a membrane roller is recommended to ensure proper adherence).

If needed, apply ELASTOCOL STICK H<sub>2</sub>O primer at the rate of 0.1 to 0.3 L/m<sup>2</sup>. Allow primer to completely dry before adhering the membrane. Important: Membrane must be applied the same day as the primer.

Membrane edges must be overlapped a minimum of 75 mm (3 in) and end lap joints must be a minimum of 150 mm (6 in).

The top edge of the membrane may be sealed with a mastic/sealant such as SOPRASEAL LM 200 T, silicone or equivalent product compatible with polystyrene. Where the membrane meets the concrete footing, it's recommended to clean and primed the concrete footing so that membrane also adheres to the footing's covered portion. When required, install fasteners with 25-mm (1-inch) diameter washers at a distance of 38 mm (1 1/2 in) from the top end of the membrane and spaced at 450 mm (18 in) o.c maximum.

Application temperatures: All Seasons Grade: -10 to 40 °C (14 to 104 °F)

Service temperatures: Winter and Summer: -45 to 70 °C (-49 to 158 °F)



IntegraSpec and IntegraFB are trademarks of IntegraSpec Corp.

Toll Free - 1-800-382-9102 – Tel: 613-634-1319 – Fax: 613-634-2291 – email: [info@integraspec.com](mailto:info@integraspec.com) – Web: [www.integraspec.com](http://www.integraspec.com)



## IntegraProof™ (cont.)

### LIMITATION

IntegraProof is designed to be used as a waterproofing membrane for below grade application; it must be covered / backfilled once the installation is completed. Backfill inspection maybe required prior to backfilling, check with your local building department.

### PACKAGING

Specifications	IntegraProof
Thickness	1.0 mm (40 mil)
Dimensions	22.9 x 0.91 m (75 ft x 36 in)
Weight	0.9 kg/m <sup>2</sup> (0.2 lb/ft <sup>2</sup> )
Selvedge width	75 mm (3 in)
Surface	Tri-laminated woven polyethylene
Underface / craft paper	Lined with silicone release film
Rolls per skid	30

(All values are nominal)

PROPERTIES	STANDARDS	IntegraPROOF Membrane
Tensile Strength, MD/XD	ASTM D5147	11.3 / 15.4 kN/m (64 / 88 lbf/in)
Ultimate Elongation, MD/XD	ASTM D5147	52 / 24 %
Flexibility at Cold Temperature	ASTM D5147	-30°C (-22°F)
Static Puncture	ASTM D5602	400 N (90 lbf)
Tear Resistance, MD/XD	ASTM D5601	375 / 400 N (85 / 90 lbf)
Lap Adhesion	ASTM D1876	2000 N/m (11.4 lbf/in)
Peel Resistance	ASTM D903	3050 N/m (17.5 lbf/in)
Water Absorption	ASTM D5147	< 0.1 %
Water Vapour Permeance	ASTM E96 (Procedure B)	< 2.5 ng/Pa.s.m <sup>2</sup> (< 0.04 perm)
Termite Resistance	see Trinity/ERD report #S10030SC.04.08	Pass

### STORAGE AND HANDLING

Rolls must be stored upright. If the product is stored outdoors, cover rolls with opaque protective cover after the removal of the delivery package.

FOR MORE INFORMATION, PLEASE CONSULT YOUR INTEGRASPEC REPRESENTATIVE.



IntegraSpec and IntegraFB are trademarks of IntegraSpec Corp.

Toll Free - 1-800-382-9102 – Tel: 613-634-1319 – Fax: 613-634-2291 – email: [info@integraspec.com](mailto:info@integraspec.com) – Web: [www.integraspec.com](http://www.integraspec.com)